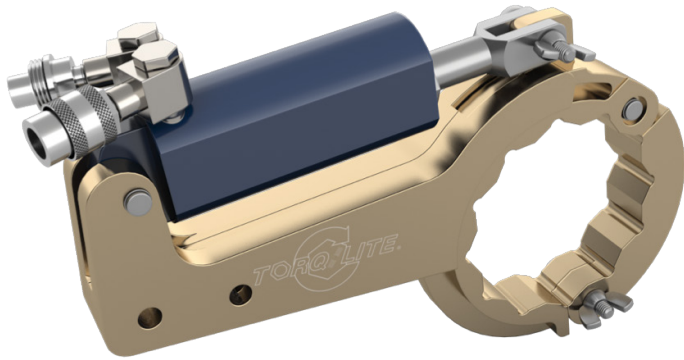


JN SERIES

JAM NUT
WRENCH



Our patented JN Series hydraulic wrench is designed specifically for fast, safe and accurate tightening or loosening of Top Drive Packing Nuts and Gas Compressor Piston Rod Crosshead Jam Nuts.

In-house specialty adaptors/inserts can be used with the JN Series to turn any nut that faces the problem of having a shaft, rod or tube running through its center.

The JN Series features a patented “split-head” design, enabling the tool to fit over the wash pipe or piston rod and around your packing nut or jam nut.

PATENTED
**SPLIT
HEAD**

The “split-head” itself, or through use of a special made adaptor/insert, can fit any size or type of Top Drive Packing Nut, OEM Jam Nut, hex or any other configuration, eliminating the need for expensive after-market nuts and giving you never-before-seen accuracy, speed and safety.

FAST

The patented “split-head” design can be placed around the wash pipe, piston rod, or any other type of shaft, rod, pipe, or tube and on the nut or adapter/insert in less than one minute. Accurate tightening or loosening of the jam nut is easily achieved in just a few seconds.

SAFE

The JN Series hydraulic wrench eliminates unsafe hammer wrenches, hydraulic jacks or cranes, and other unsafe equipment currently being used to turn these nuts.

ACCURATE

This fast hydraulic wrench, provides accuracy to +/- 0.03 with the use of a standard bi-directional 10,000 p.s.i. hydraulic pump.

FUNCTIONAL

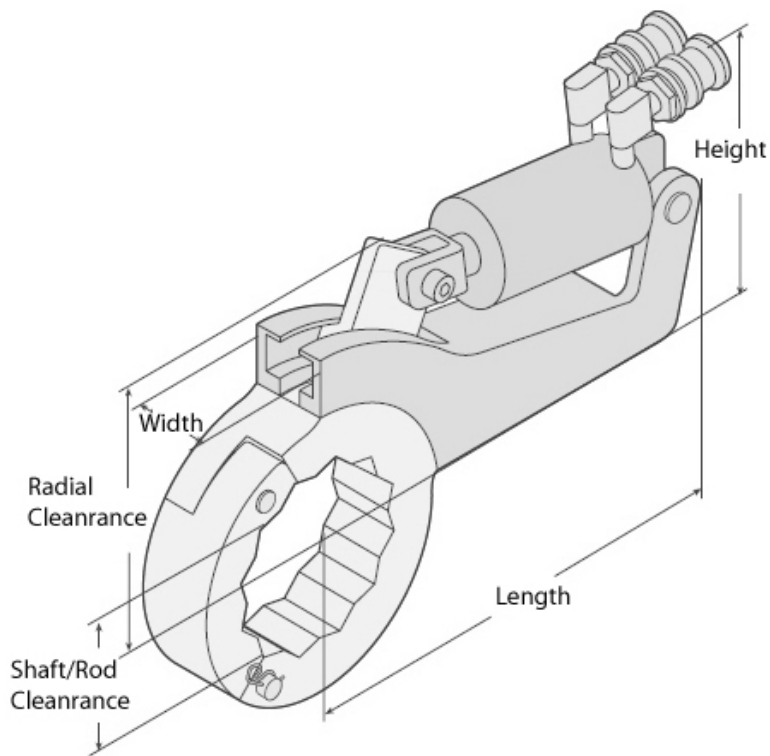
The JN Series hydraulic wrench will work equally well in either Top Drive wash pipe assemblies or compressor crosshead access ports. It will work right-side up, upside-down, sideways, etc. for both loosening and tightening.

PATENTED
**360°
SWIVELS**

Allow hose movement without hose binding. Nickel-plated steel quick connects, with fewer moving parts, moving in every direction you might need them to – a great improvement to other swivels in the industry.

CALIBRATED

Every tool is tested and calibrated to +/- 0.03 accuracy and +/- 0.01 repeatability traceable to N.I.S.T. standards.



JN SERIES	MAX FT. LBS. @ 10,000 PSI	LENGTH	HEIGHT	WIDTH	RADIAL CLEARANCE	"SPLIT HEAD" RANGE	WEIGHT WITH HEAD
JN-4	3,650	13.044"	7.014"	1.950"	5.000"	2" - 4 ⁵ / ₈ "	28 lbs.
JN-10	8,400	10.659"	7.014"	1.950"	5.000"	3 ³ / ₈ " - 4 ⁵ / ₈ "	28 lbs.
JN-20	20,100	14.056"	9.117"	1.950"	7.372"	4 ⁵ / ₈ " - 6"	40 lbs.
JN-30	32,000	16.000"	10.446"	1.950"	8.825"	6" - 8 ¹ / ₄ "	57 lbs.
JN-40	38,396	19.126"	12.500"	2.950"	10.070"	4 ⁵ / ₈ " - 10"	105 lbs.