

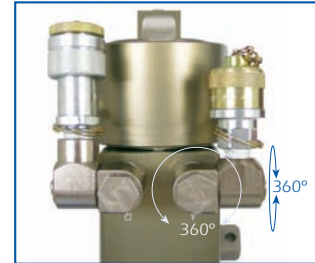
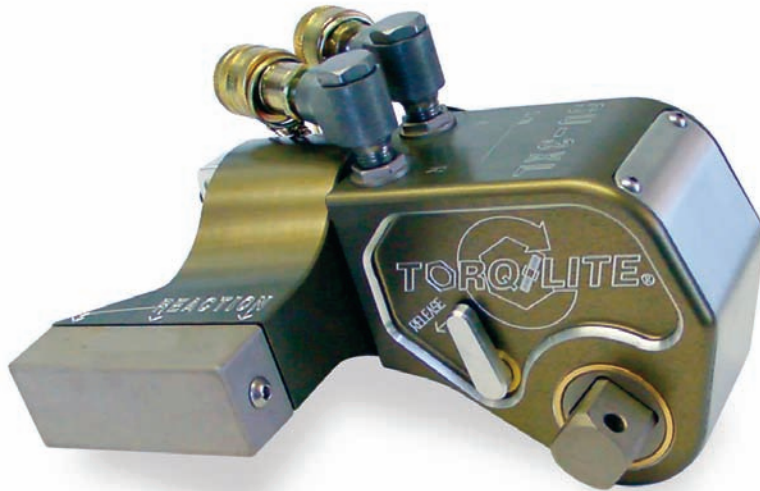


# SQUARE DRIVE SU-XL SERIES Ratchet Wrench

ISO 9001-2000 Registered

For Immediate Assistance in the U.S. Call: 877-777-4046

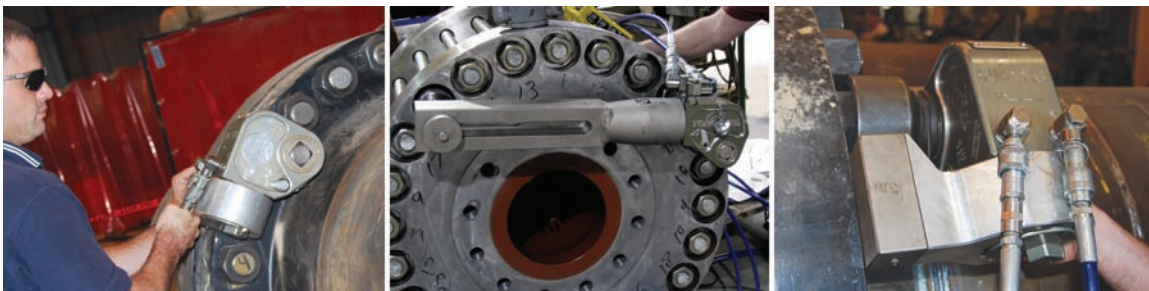
For Assistance Outside the U.S. Call: 713-983-7171



"Dual Plane Swivel Fittings"  
Available Upon Request

A time tested and proven tool design, square drive ratchets offer a cost efficient option to handle a wide range of bolting make-up and break-out needs. The SU-XL Series ratchet employs a "patented design", which increases accuracy and reduces the number of moving parts. TL T-6 XL Series body encloses the drive train assembly, allowing no pinch points and lighter weight. Our standard SU-XL Series tool capacities range from 100 to 60,000 foot pounds of torque using a 10,000 p.s.i. hydraulic pump.

- Square Drive** - For use with all standard size square drive impact sockets. Easily shifts from make-up to break-out without disassembly.
- TL T-6** - XL Series bodies made of durable, high-strength, lightweight aircraft alloy.
- Unibody** - Eliminates "Pinch Points". Reduces side loading. Totally enclosed drive train assembly, allowing nothing in or out of the tool.
- 360° Swivel Fittings (Patented)** - Allow hose movement without hose binding. Stainless steel with fewer moving parts - a great improvement over competitors' delicate design. (Single plane swivel fittings shown on wrench above.)
- Slotted Piston Rod** - Maintains 90° relationship between piston rod and nut. Increases accuracy. Reduces number of moving parts.
- Anti-Reverse Pawl** - Holds rotational wind-up to maintain required torque.
- Pawl Release** - Anti-reverse pawl release mechanism allows manual release of tool if "binding" occurs.
- Reaction Member** - 360° rotation and made of TL T-6. Increased reaction area. Ratchet can be used without reaction member.
- Coated** - All exposed parts to resist corrosion.
- Light/Ergonomic** - Reduces operator fatigue.
- Calibrated** - Every tool is tested and calibrated to  $\pm 0.03$  accuracy, traceable to N.I.S.T.
- Warranty** - Torq/Lite® SU-XL Series wrenches come with a 3 Year – 2 Tier warranty, that is the best standard warranty on the market today! We stand behind our wrenches like no other!



[www.torqlite.com](http://www.torqlite.com)

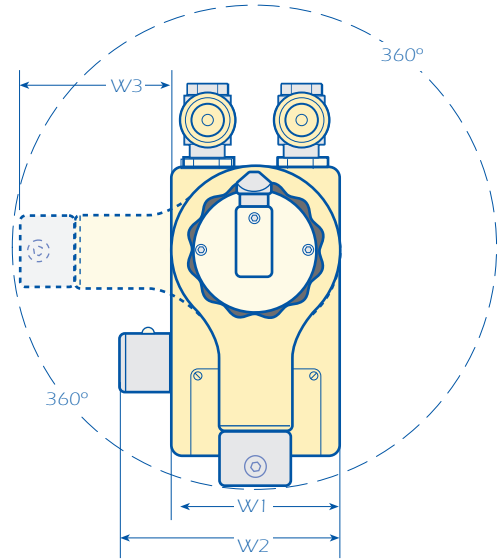
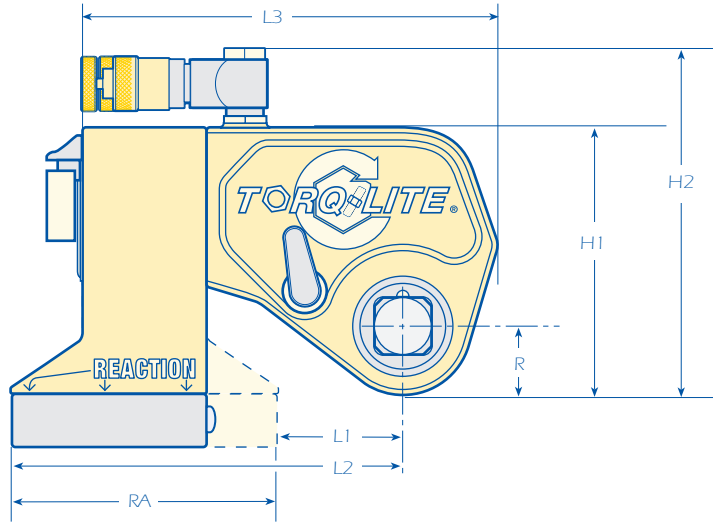


# SQUARE DRIVE SU-XL SERIES Ratchet Wrench

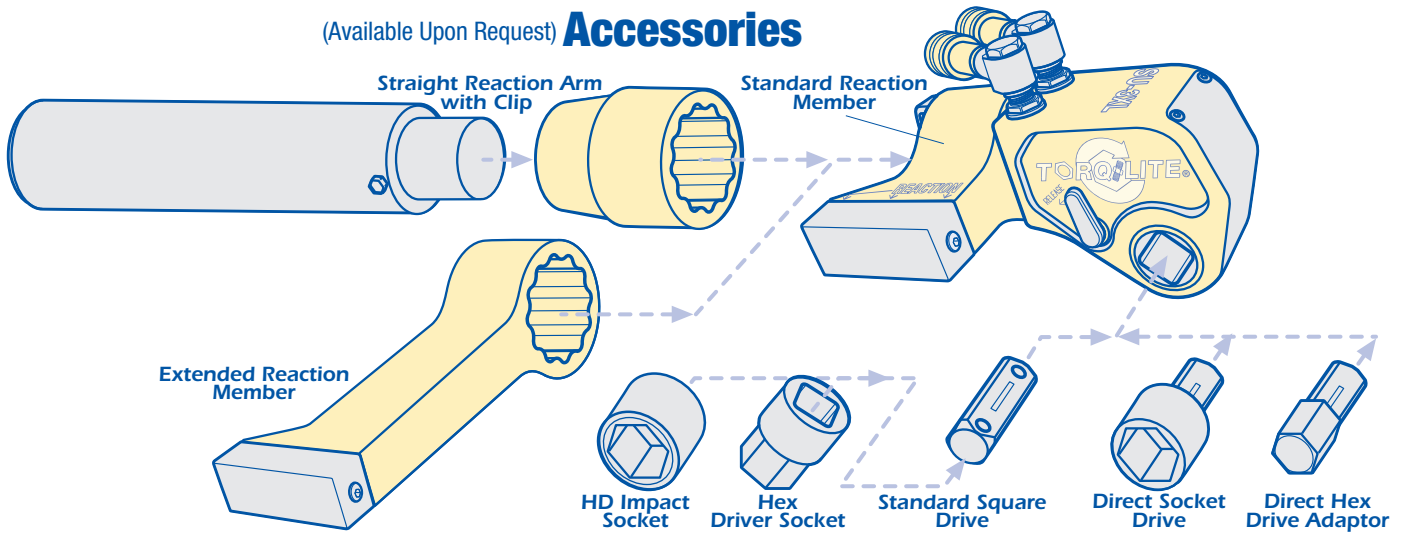
ISO 9001-2000 Registered

For Immediate Assistance in the U.S. Call: 877-777-4046

For Assistance Outside the U.S. Call: 713-983-7171



## (Available Upon Request) Accessories



SU-XL Series	Square Drive	Min-Max. Nm @ 700 bar (+/- 3%)	Min-Max. Ft. Lbs. @ 10,000 p.s.i. (+/- 3%)	Weight*	Reaction Area - RA	Length L1	Length L2	Length L3	Radius R	Height H1	Height H2	Width W1	Width W2	Width W3
SU-1XL	19mm / 3/4"	194/1,874	143 / 1,382	2.38 kg.	94mm	40mm	133mm	151mm	30mm	104mm	145mm	50mm	69mm	56mm
SU-3XL	25mm / 1"	355/3,960	262 / 2,921	5.10 kg.	136mm	47mm	183mm	202mm	32mm	124mm	166mm	70mm	91mm	81mm
SU-6XL	38mm / 1-1/2"	765/6,928	564 / 5,110	7.80 kg.	139mm	55mm	193mm	214mm	44mm	151mm	199mm	76mm	114mm	89mm
SU-11XL	38mm / 1-1/2"	1,407/14,633	1,038 / 10,793	13.56 kg.	165mm	57mm	222mm	239mm	52mm	187mm	232mm	99mm	136mm	127mm
SU-20XL	64mm / 2-1/2"	2,377/24,315	1,753 / 17,934	28.12 kg.	191mm	88mm	264mm	295mm	76mm	233mm	274mm	126mm	189mm	141mm
SU-30XL	64mm / 2-1/2"	3,577/34,986	2,638 / 25,804	34.01 kg.	191mm	88mm	276mm	298mm	79mm	248mm	289mm	149mm	213mm	141mm
SU-45XL†	64mm / 2-1/2"			65.77 kg.	189mm	186mm	318mm	338mm	83mm	285mm	320mm	146mm	210mm	140mm
SU-60XL†	64mm / 2-1/2"			133.80 kg.	223mm	150mm	373mm	406mm	95mm	356mm	396mm	184mm	248mm	146mm

\*Weight includes tool, reaction member, and square drive. †Steel Casting  
\*\*Please inquire for additional information.

[www.torqlite.com](http://www.torqlite.com)

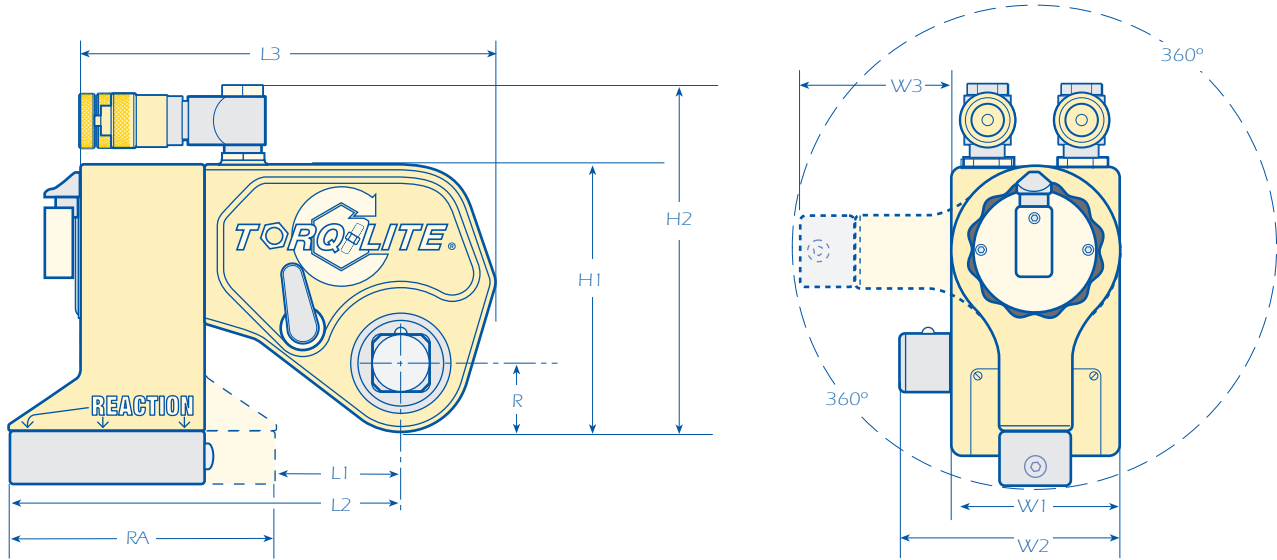


# SQUARE DRIVE SU-XL SERIES Ratchet Wrench

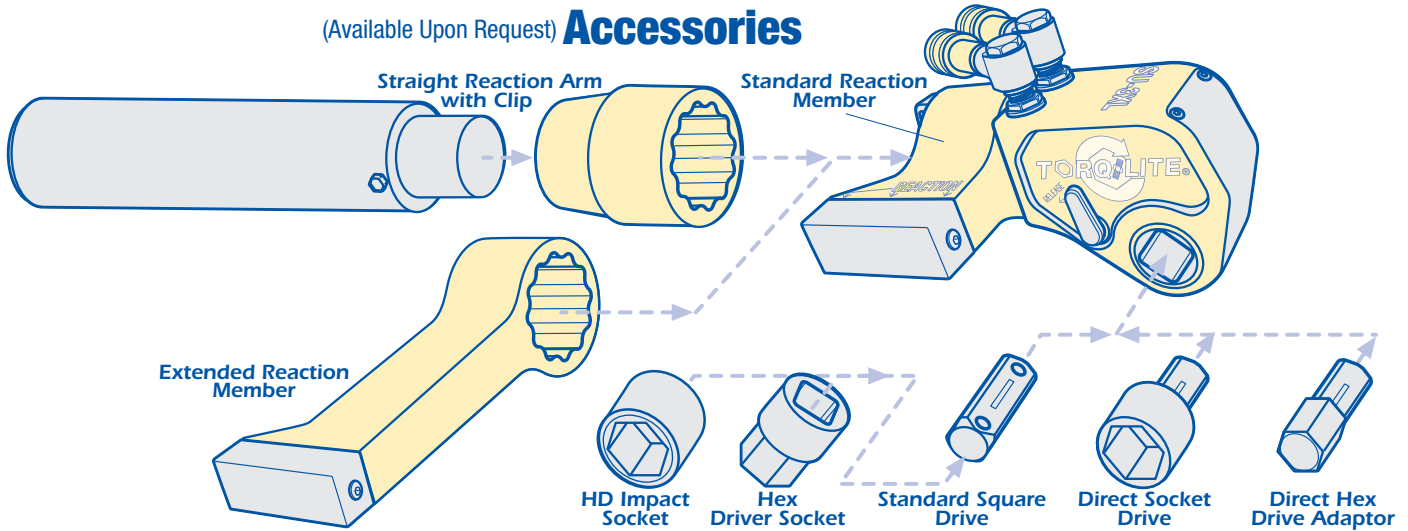
ISO 9001-2000 Registered

For Immediate Assistance in the U.S. Call: 877-777-4046

For Assistance Outside the U.S. Call: 713-983-7171



## (Available Upon Request) Accessories



SU-XL Series	Square Drive	Min-Max. Ft. Lbs. @10,000 p.s.i. (+/- 3%)	Min-Max. Nm @ 700 bar (+/- 3%)	Weight*	Reaction Area - RA	Length L1	Length L2	Length L3	Radius R	Height H1	Height H2	Width W1	Width W2	Width W3
SU-1XL	3/4" / 19mm	143 / 1,382	194/1,874	5.25 lbs.	3.685"	1.567"	5.252"	5.928"	1.200"	4.100"	5.725"	1.980"	2.730"	2.200"
SU-3XL	1" / 25mm	262 / 2,921	355/3,960	11.25 lbs.	5.335"	1.865"	7.200"	7.970"	1.260"	4.870"	6.520"	2.775"	3.600"	3.172"
SU-6XL	1-1/2" / 38mm	564 / 5,110	765/6,928	17.20 lbs.	5.460"	2.150"	7.610"	8.410"	1.725"	5.925"	7.850"	3.000"	4.475"	3.501"
SU-11XL	1-1/2" / 38mm	1,038 / 10,793	1,407/14,633	29.90 lbs.	6.500"	2.245"	8.745"	9.428"	2.062"	7.375"	9.125"	3.900"	5.350"	4.982"
SU-20XL	2-1/2" / 64mm	1,753 / 17,934	2,377/24,315	62.00 lbs.	7.525"	3.460"	10.375"	11.600"	3.000"	9.184"	10.784"	4.950"	7.450"	5.557"
SU-30XL	2-1/2" / 64mm	2,638 / 25,804	3,577/34,986	75.00 lbs.	7.525"	3.460"	10.875"	11.725"	3.125"	9.777"	11.377"	5.875"	8.375"	5.555"
SU-45XL†	2-1/2" / 64mm			145.00 lbs.	7.425"	7.337"	12.537"	13.312"	3.275"	11.225"	12.600"	5.750"	8.250"	5.500"
SU-60XL†	2-1/2" / 64mm			295.00 lbs.	8.781"	5.887"	14.668"	16.000"	3.750"	14.000"	15.600"	7.250"	9.750"	5.750"

\*Weight includes tool, reaction member, and square drive. †Steel Casting

\*\*Please inquire for additional information.

[www.torqlite.com](http://www.torqlite.com)